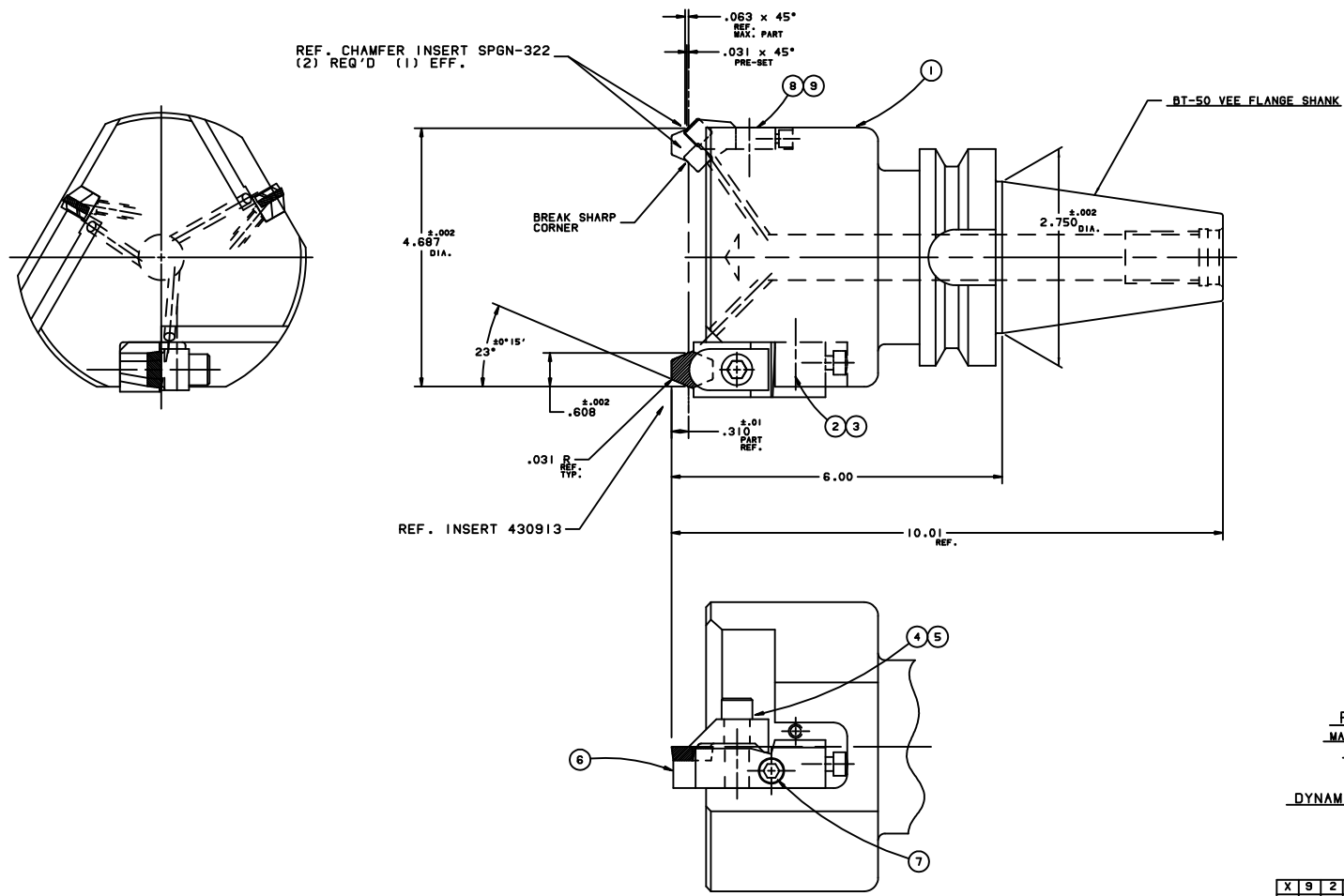


E.C.N.	REV.	CHANGE	DATE	BY	DATE	CHK.



BX-154
RING GROOVE CUTTER
MAT'L. 4150 HT.TR. 35-39 R/C
MACHINE BX-154 RING GROOVE

DYNAMICLY BALANCE AT 1200 R.P.M.

QTY	REF.	NO.	DESCRIPTION	FINISH SIZE	QTY.
X 9	2	CART. SCREW	1/4-20 x 3/4	31	LHCS 1/4 20 001
8	2	CARTRIDGE	CHAM.	07	CSSPR10CW-3 000
X 7	1	CART. SCREW	5/16-18 x 1 1/2	31	SHCS 5/16 18 006
6A		ADJ. SCREW		31	AAS-2 000
6	1	CARTRIDGE	GROOVING		
X 5	1	CLAMP		08	430914 000
X 4	1	CLAMP SCR.	3/8-18 x 1 3/4	31	SHCS 3/8 18 008
X 3	1	WEDGE SCREW		31	33824 000
X 2	1	WEDGE		04	413413 000
1	1	BAR			

STAMP GREENLEAF
BX-154 RING GROOVE 69591

WELDED SPECIFICATIONS:
1. BREAK ALL SHARP EDGES
2. STAMP TOOL NUMBER
3. WELDER'S SIGNATURE
4. 1 PLACE DECIMALS ±.000
5. 2 PLACE DECIMALS ±.001
6. 3 PLACE DECIMALS ±.002

SCALE: FULL
D.L.S. 2-28-08
432
03

GREENLEAF
CUSTOMER'S NAME: G-57589
69591

REF. 69262