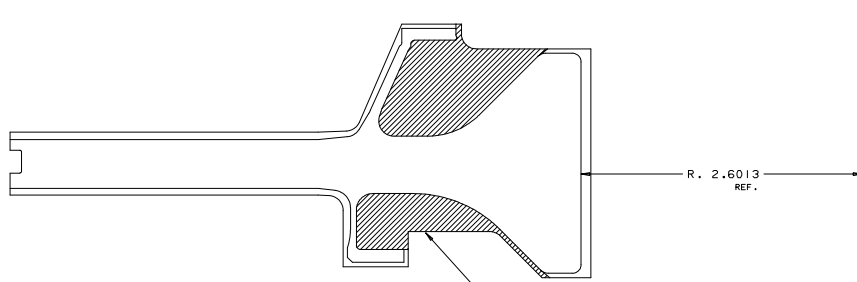
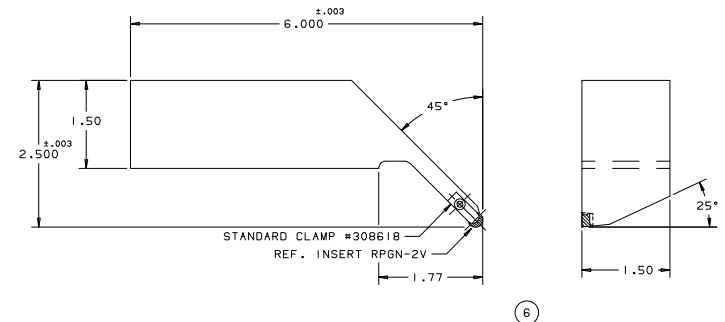
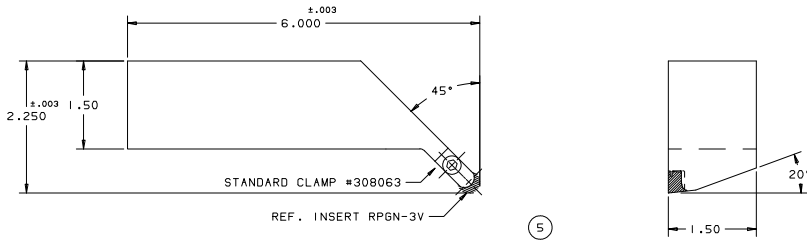
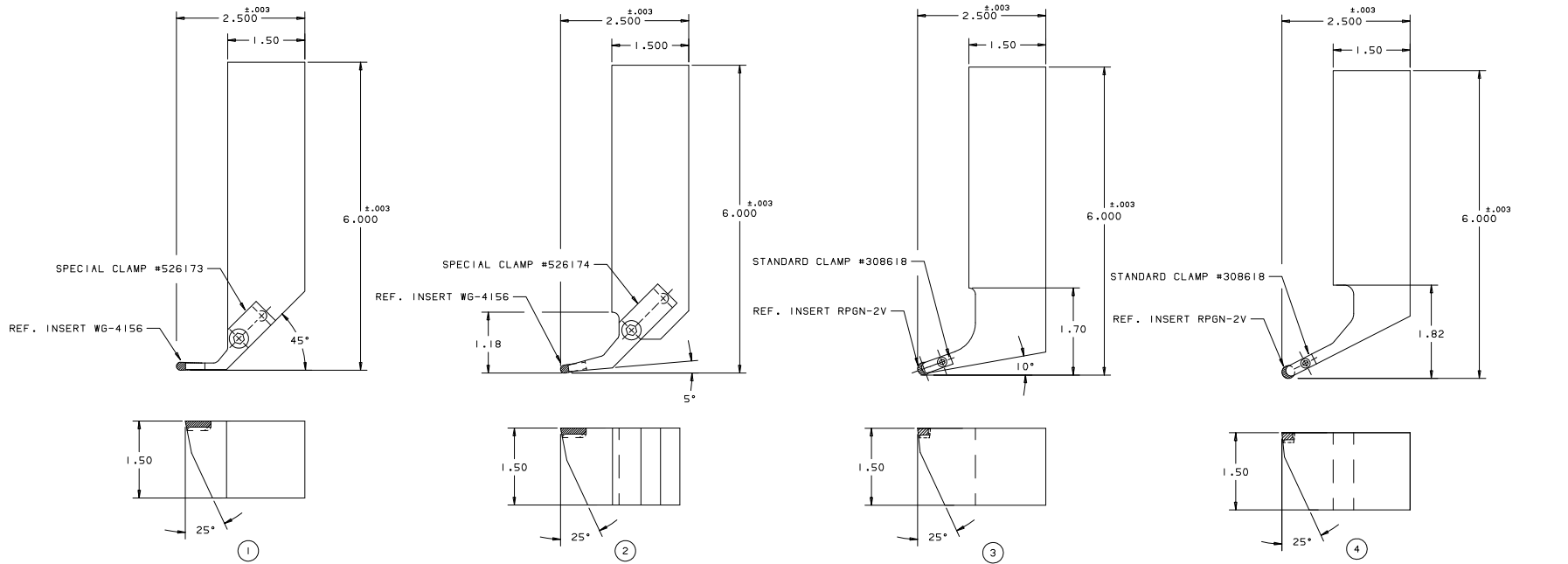


E.C.N.	REV.	CHANGE	DATE	BY	DATE	CHK.



SAME TOOLING TO MACHINE THIS AREA

OF CUSTOMER PART

REF. NO.	NO.	DESCRIPTION	FINISH SIZE	DRG. NO.
1	BREAK ALL SHARP EDGES	ALM	FULL	Greenleaf
2	STAMP TOOL NUMBER	1-26-06	FULL	
UNLESS OTHERWISE SPECIFIED:		DR.	CS.	SCALE:
TOLERANCES:		FULL		
3. ANGLES 9/12"		DRAWING NO.		
4. 1 PLACE DECIMALS ±.000		69343		
5. 2 PLACE DECIMALS ±.0015		CUSTOMER'S NAME Q#55012 #52460		
6. 3 PLACE DECIMALS ±.005				

NOTE: DIMENSIONS ARE TO BE TAKEN FROM THE CENTER OF THE PART UNLESS OTHERWISE SPECIFIED. DIMENSIONS ARE TO BE TAKEN FROM THE CENTER OF THE PART UNLESS OTHERWISE SPECIFIED.