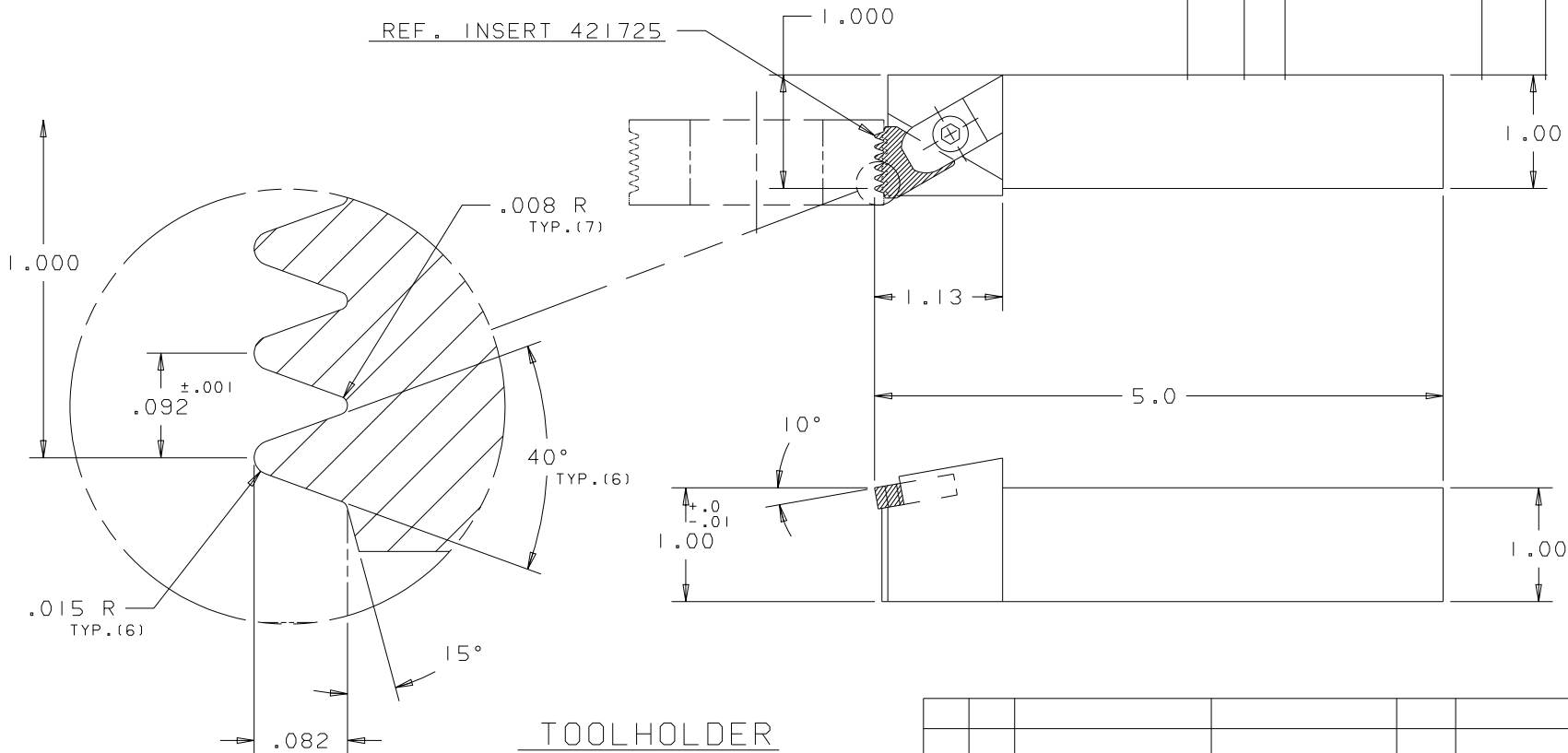


E.C.N.	REV.	CHANGE	DATE	BY	DATE	CHK.



**TOOLHOLDER**  
 MATL. 4140 HT.TR. 35-39 R/C

3	1	CLAMP SCR.	#10-32x1/2	31	SHCS 10 / 32	006
2	1	CLAMP	3127-C	33	3127	001
1	1	HOLDER		117	421724-1	116
DET. NO.	NO. REQ'D.	DESCRIPTION	FINISH SIZE	DWG. NO.		

NOTE: DEPENDING UPON AVAILABILITY MATERIAL SPECIFIED MAY BE SUBSTITUTED WITH A MATERIAL OF EQUAL OR SUPERIOR QUALITY

STAMP  
GREENLEAF

UNLESS OTHERWISE SPECIFIED:  
 1. BREAK ALL SHARP EDGES  
 2. STAMP TOOL NUMBER  
 TOLERANCES:  
 3. ANGLES ±1/2°  
 4. 1 PLACE DECIMALS ±.030  
 5. 2 PLACE DECIMALS ±.015  
 6. 3 PLACE DECIMALS ±.005

DR.	CH.	SCALE:
D.A.P.		FULL
3/11/96		
117	DRAWING NO.	116
01	421724	

**Greenleaf** 

CUSTOMER'S NAME Q-25975 #1130