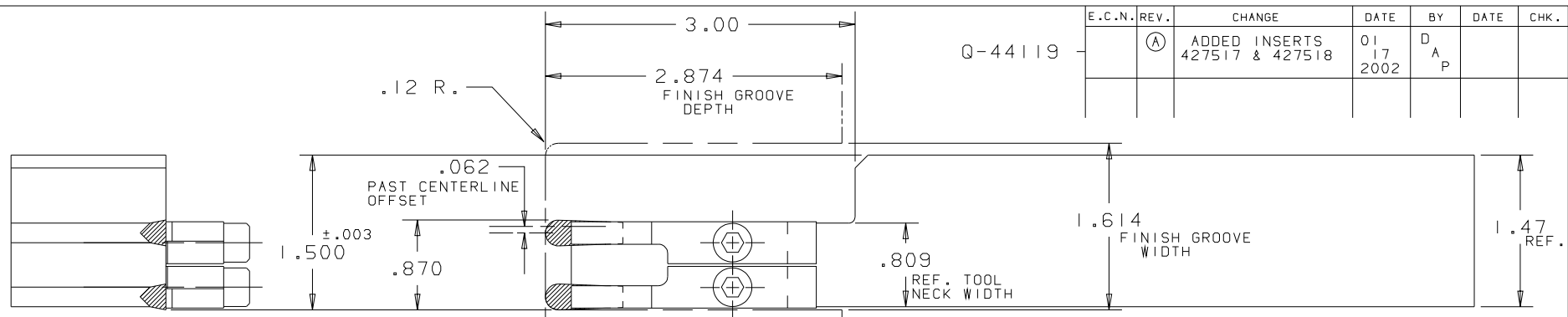
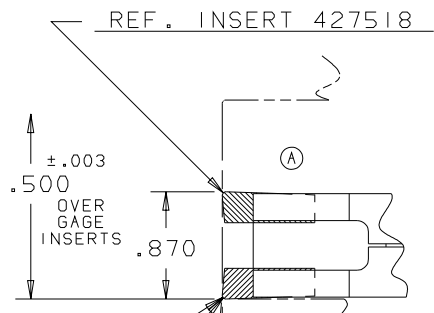


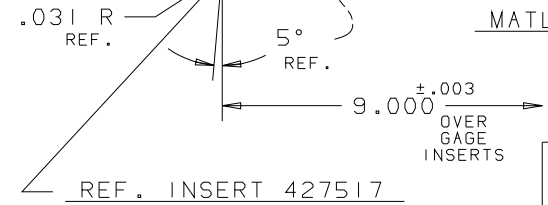
| E.C.N. | REV. | CHANGE | DATE | BY | DATE | CHK. |
|--------|------|-------------------------------|------------|-------|------|------|
| | (A) | ADDED INSERTS 427517 & 427518 | 01 17 2002 | D A P | | |



REF. INSERT WG-6250
(2) REQ'D.



TOOLHOLDER
MATL. 4150 HT.TR. 35-39 R/C



| DET. NO. | NO. REQ'D. | DESCRIPTION | FINISH SIZE | DWG. NO. | |
|----------|------------|-------------|--------------|----------|-----------------|
| 4 | 2 | CLAMP SCR. | 1/4-20x1 | 31 | SHCS 1/4 20 007 |
| 3 | 1 | CLAMP | 411981-250GC | 09 | 411981 000 |
| 2 | 1 | CLAMP | 411980-250GC | 09 | 411980 000 |
| 1 | 1 | HOLDER | | | 427329-1 |

NOTE: DEPENDING UPON AVAILABILITY MATERIAL SPECIFIED MAY BE SUBSTITUTED WITH A MATERIAL OF EQUAL OR SUPERIOR QUALITY

STAMP GREENLEAF

UNLESS OTHERWISE SPECIFIED:
1. BREAK ALL SHARP EDGES
2. STAMP TOOL NUMBER
TOLERANCES:
3. ANGLES ±1/2°
4. 1 PLACE DECIMALS ±.030
5. 2 PLACE DECIMALS ±.015
6. 3 PLACE DECIMALS ±.005

| DR. | CH. | SCALE: |
|----------|-------------|--------|
| CARR | | FULL |
| 10/18/01 | | |
| 117 | DRAWING NO. | |
| 01 | 427329 | |

Greenleaf 

CUSTOMER'S NAME Q-43660 # -90130