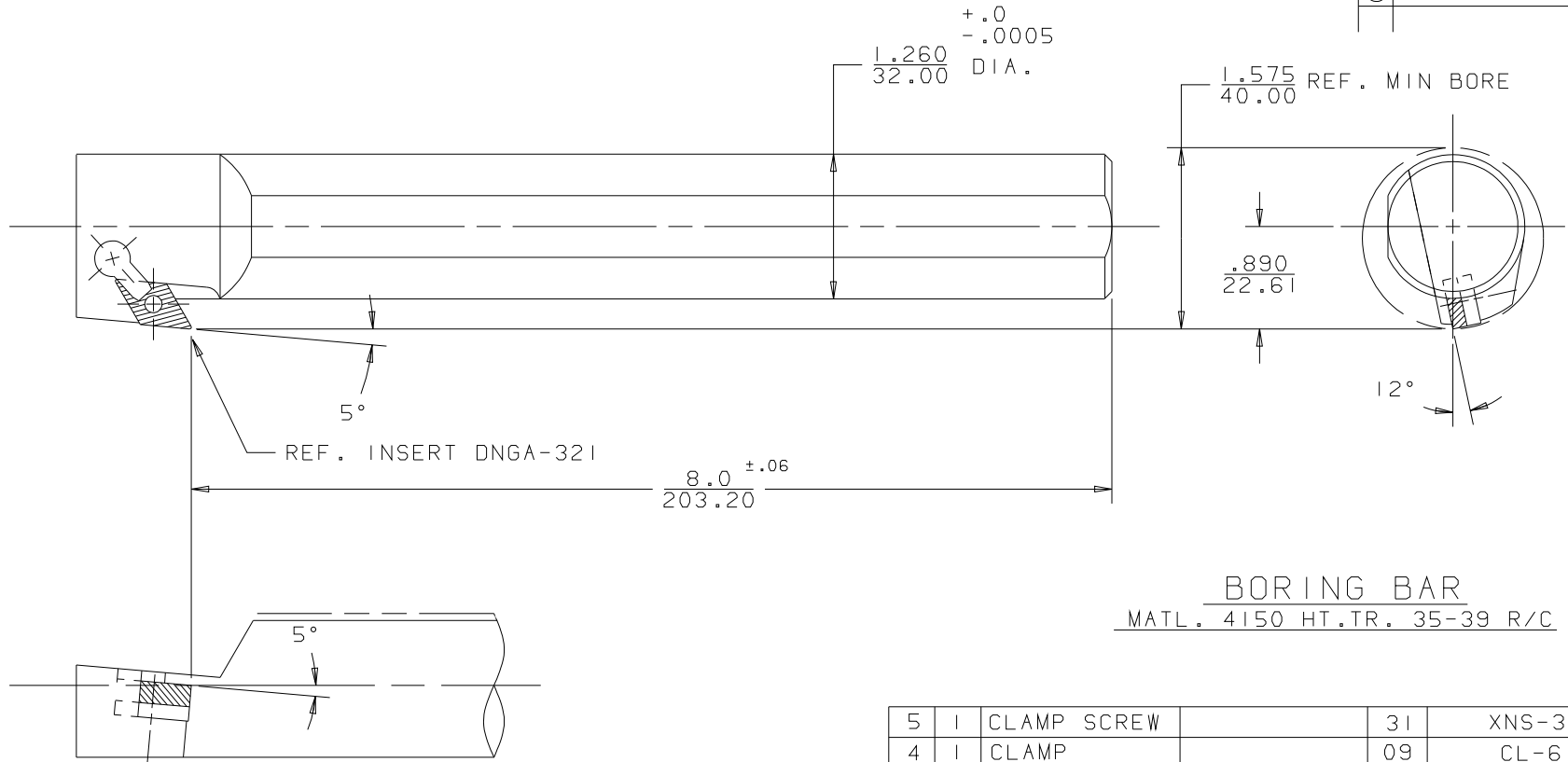


REV.	CHANGE	DATE	BY
(A)	WAS 1.2495 DIA.	7-28-98	RAM



BORING BAR
 MATL. 4150 HT.TR. 35-39 R/C

5	1	CLAMP SCREW		31	XNS-35	000
4	1	CLAMP		09	CL-6	000
3	1	LOCKPIN		33	NL-34	000
2	1	SHIM	.125 THK.		IDSN-322	
1	1	BORING BAR			424581-1	
DET. NO.	NO. REQ'D.	DESCRIPTION	FINISH SIZE	DWG. NO.		

STAMP GREENLEAF 424581	UNLESS OTHERWISE SPECIFIED: 1. BREAK ALL SHARP EDGES 2. STAMP TOOL NUMBER TOLERANCES: 3. ANGLES ±1/2° 4. 1 PLACE DECIMALS ±.030 5. 2 PLACE DECIMALS ±.015 6. 3 PLACE DECIMALS ±.005	DR.	CH.	SCALE:	GREENLEAF CORPORATION SAEGERTOWN, PA. 16433 CUSTOMER'S NAME Q-34204 #85300
		R.A.M.		FULL	
		07/23/98			
		DWG. NO.			
		419	424581	003	